

Airmatic

BLOW GUN

MODEL : 100A

TEMPERATURE AND PRESSURE RATING

SIZE	MODEL	MAX. PRESSURE	MAX. TEMP.
G 1/4	100A	12 kg/Cm ²	70°C

SAFETY WARNING : Compressed air can be lethal if improperly used. It should never be employed for dusting the person, particularly in the vicinity of the eyes, ears or the back of the neck. Any tendency on the part of operators to do this should be severely and actively discouraged. Perhaps it is not generally known that it requires less than 0.4 bar (6 p.s.i.) Of air pressure to penetrate the human skin and cause air bubbles in the blood-stream. When these reach the heart the result can be fatal in minutes. Past instances of horseplay with air hoses and blow guns have led to the most untimely end for more than one person.

INSTALLATION, OPERATING AND MAINTENANCE INSTRUCTIONS

INSTALLATION

Before installing, blow-out pipe line to remove scale and other foreign matter. This unit has DRYSEAL pipe threads; use pipe compound or tape sparingly to male threads only. Install safety blow gun by using. hose adaptor or swivel joint with flexible pipe for better handling

MAINTENANCE-CLEANING

NOTE : To clean, it is not necessary to remove blow gun from pipe line. Depressurize air and unscrew bottom nut. Follow drawing provided for disassembly and reassembly. Wash blow gun body and internally with kerosene or soap water blowout body with compressed air. Apply silicon machine grease on seals while reassembly for better performance.

SAFETY PRECAUTION

Any blow gun must be supplied with compressed air through a suitable pressure regulator set at a safe working pressure. This pressure should be less than 2 Kg/Cm² (30 p.s.i.g.) unless the gun is fitted with a type A50, A51 Air saver safety nozzle, when pressure up to 6 Kg/Cm² (90 p.s.i.g.) may be used.

SEE OTHER SIDE FOR REPLACEMENT PART LIST.

AIR PROCESSING PRODUCTS.

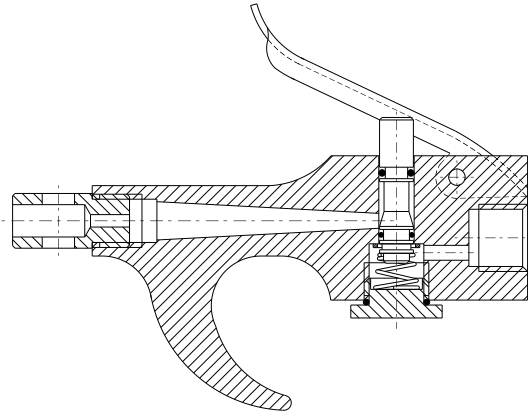
Shah Pneumatics

Regd. Office : 28-30, Navketan Industrial Estate,
Mahakali Caves Road, Andheri (East),
Mumbai - 400 093, INDIA.
Phone : +91-22-6695 1090, Fax: +91-22-26875317
E-mail : shahpneu@bom3.vsnl.net.in
Website : www.shah-pneumatics.com



BLOW GUN IOMI.

MODEL - 100A REPLACEMENT PARTS ORDER BY SIZE AND KIT NUMBER



CONSISTS OF PART NAME	KIT NAME	SIZE / KIT No.
Piston Piston 'O'Ring Seat 'O'ring	Piston Assy. Kit	PG-O
Piston 'O'Ring Seat 'O'ring Bottom Plug 'O'Ring	Service Rubber Kit	BG-O
Brass Nozzle Tip Type 50	* Nozzle Kit	50

* STANDARD