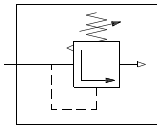


AIR RELIEF VALVES

MINIATURE SERIES : MRV

SERVICE : Air, Non-corrosive gases and water.

- Diaphragm operated for sensitivity.
- Provides gradual proportional relief.



Application

Airmatic introduces miniature air relief valve utilizing the latest technologies and technique :

Standard unit for air and non corrosive gases has aluminium body and acetal resin bonnet. For applications with water, unit can be furnished with St. Steel 304 / St. Steel 316 body and seat.

Technical Data

Material specification

Body	Aluminium Std. Optional St. Steel 304/316
Spring Cage	Acetal-Resin
Diaphragm	High Nitrile 3307. Optional Viton
Pressure Spring	Zn Plated Spring Steel

Ordering References

REDUCED PRESSURE RANGE	SIZES BSP	MODELS	
		Aluminium	St. Steel 304
0 - 3.5 Kg/cm ² (0 - 50 PSI)	G1/4	MRV - 022	MRVS - 022
0 - 7 Kg/cm ² (0 - 100 PSI)	G1/4	MRV - 023	MRVS - 023

Air Relief Capacity in SCFM

RANGE	SETTING in Psi	CAPACITY in SCFM
0 - 3.5 Kg/cm ² (0 - 50 PSI)	10	1.7
	25	6.7
	50	11.0
0 - 7 Kg/cm ² (0 - 100 PSI)	50	9.9
	75	13.6
	100	19.1

Service Kits

Service Rubber Kit	MRV-O
--------------------	-------



Condition of use

Max. Supply Pressure	12 Kg/cm ²
Max. Op. Temp.	70°C

Features * * * * *

- Diaphragm relief design.
- Non-rising adjusting knob.
- Knob locking standard.
- Nitrile diaphragm.
- Can be panel mounted.

Accessories & Options

	SUFFIX
Panel Mounting Ring	PAM
Viton Diaphragm	VD

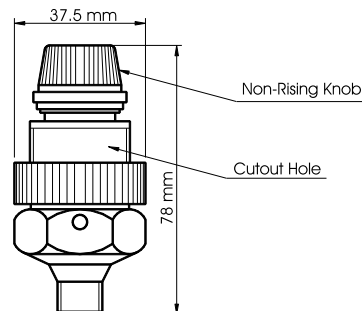
Model Ordering Code Instruction

MRV	-	02	-	2	-	VD	-	PAM
Types Relief Valve		Sizes 01 - G1/8 Male 02 - G1/4 Male		Pr. Range 2 - 0-3.5 Kg/cm ² 3 - 0-7.0 Kg/cm ²		Diaphragm Blank - Nitrile VD - Viton ND - Neoprene		PAM-Panel Mounting Ring

Dimensions-Weight

Weight : 0.086 Kgs.

ALL DIMENSIONS ARE IN MM



Shah Pneumatics

Regd. Office : 28-30, Navketan Industrial Estate,
Mahakali Caves Road, Andheri (East),
Mumbai - 400 093, INDIA.
Phone : +91-22-6695 1090 Fax : +91-22-26875317
E-mail : shahpneu@bom3.vsnl.net.in
Website : www.shah-pneumatics.com

RELIEF VALVE CAT.