

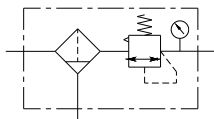
AIR LINE INTEGRAL FILTER-REGULATORS

OPTIMA 200 SERIES

SERVICE :- AIR

Filter-Regulators

- High performance
- Compact design
- Two stage air cleaning action
 - 1) Cyclonic separation
 - 2) Depth style particulate element



Technical Data

Material Specification

	Polycarbonate Bowl
Body	Aluminium alloy
Bowl	Polycarbonate
Element	Porous material
Drain	Brass
Seals & Diaphragm	Buna - N
Bottom Spring	Stainless Steel
Spring Cage and Knob	Plastic

Standard Features

Diaphragm	Relieving
Pressure Range	0.5 - 8.5 Kg/cm ²
Gauge ports	G1/8
Element Rating	25 Micron
Drain	Semi Auto
Bowl Capacity	15 ml

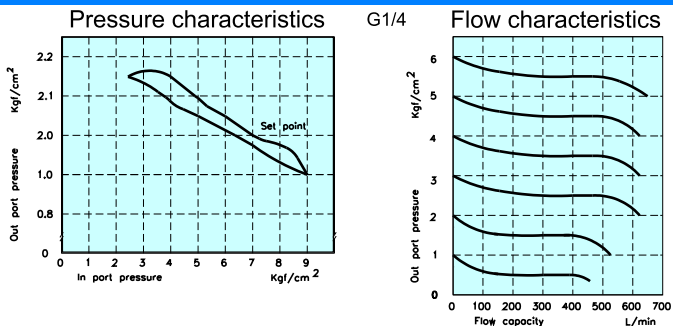
Ordering References

MODELS	SIZES	
	G1/8	G1/4
	FR-200-01	FR-200-02

Service Kits

Service Kit	Relieving	FR 200 - SKR
	Non Relieving	FR 200 - SKNR
Element Kit	5µ	F 200 - E5
	25µ	F 200 - E25
Bowl Replacement Kit	Plastic	F 200 - BAP
	Metal	F 200 - BAM
Diaphragm Assy. Kit	Relieving	R 200 - DAR
	Non Relieving	R 200 - DANR
Bonnet Assy.		R 200 - B

Flow Curve



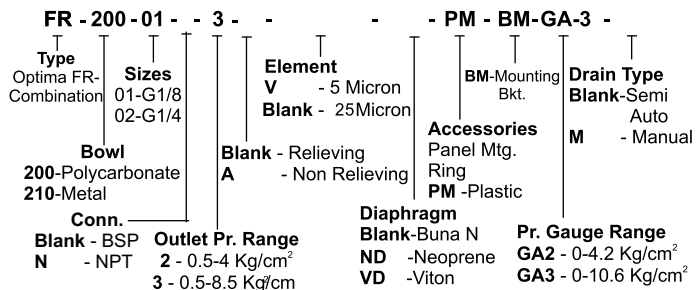
Condition of use

	Polycarbonate Bowl
Max. Supply Pressure	9.5 Kg/cm ²
Temperature Range	5 To 60°C

Accessories & Options

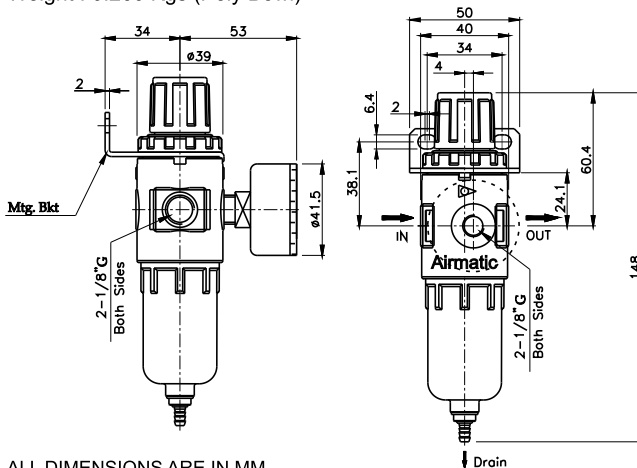
	SUFFIX
Filter Element 5µ Sintered Bronze	V
Panel Mounting Ring (Plastic)	PM
Mounting Bracket	BM
Viton Diaphragm	VD
Pressure Gauge 40mm Dial G1/8 Back Connection	Range 0 to 10.6 Kg/cm ² GA-3

Model Ordering Code Instruction



Dimensions & Weight

Weight : 0.260 Kgs (Poly Bowl)



ALL DIMENSIONS ARE IN MM.

OPTIMA 200 FILTER REGULATOR COMBINATION CAT.