

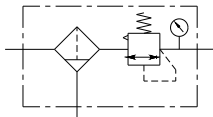
## AIR LINE INTEGRAL FILTER-REGULATORS

### OPTIMA 400

SERVICE :- AIR

#### Filter-Regulators

- High performance
- Compact design
- Two stage air cleaning action
  - 1) Cyclonic separation
  - 2) Depth style particulate element



## Technical Data

### Material Specification

Body	Aluminium alloy
Bowl	Polycarbonate
Bowl Guard	Plastic
Element	Sintered Plastic
Drain	Brass
Seals & Diaphragm	Buna - N
Bottom Spring	Stainless Steel
Spring Cage and Knob	Plastic

### Standard Features

Diaphragm	Relieving
Pressure Range	0.5 - 8.5 Kg/cm <sup>2</sup>
Gauge ports	G1/4
Element Rating	25 Micron
Drain	Semi Auto
Drain Capacity	60 CC
Adjusting	Knob

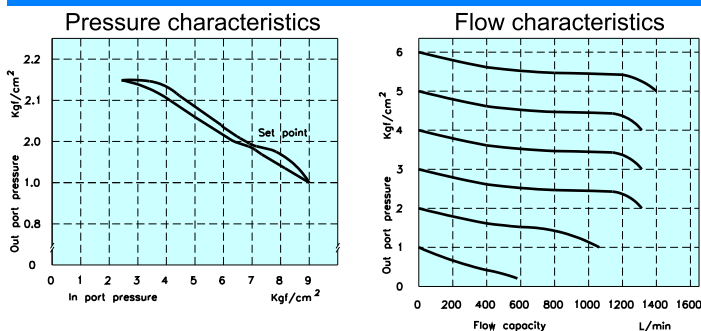
### Ordering References

MODELS	SIZES		
	G1/4	G3/8	G1/2
	FR-400-023	FR-400-033	FR-400-043

### Service Kits

Service Kit	Relieving	FR 400 - SKR
	Non Relieving	FR 400 - SKNR
Element Kit	5µ	F 400 - E5
	25µ	F 400 - E25
Bowl Replacement Kit	Plastic	F 400 - BAP
	Metal	F 400 - BAM
Diaphragm Assy. Kit	Relieving	R 200 - DAR
	Non Relieving	R 200 - DANR
Bonnet Assy.		R 200 - B

### Flow Curve



### Reduced Pressure Range

Available in reduced pressure range of 0.5 - 8.5 Kg/cm<sup>2</sup> Suffix - 3

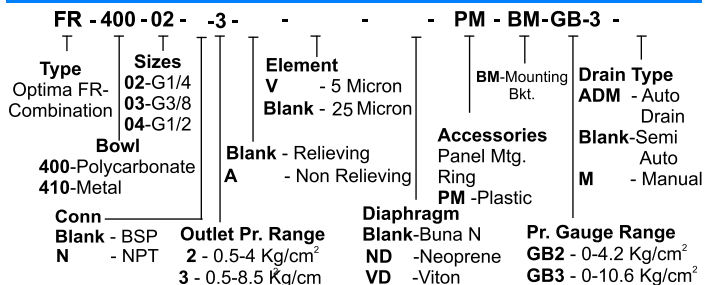
### Condition of use

Polycarbonate Bowl	
Max. Supply Pressure	9.5 Kg/cm <sup>2</sup>
Op. Temp. Range	5 To 60°C

### Accessories & Options

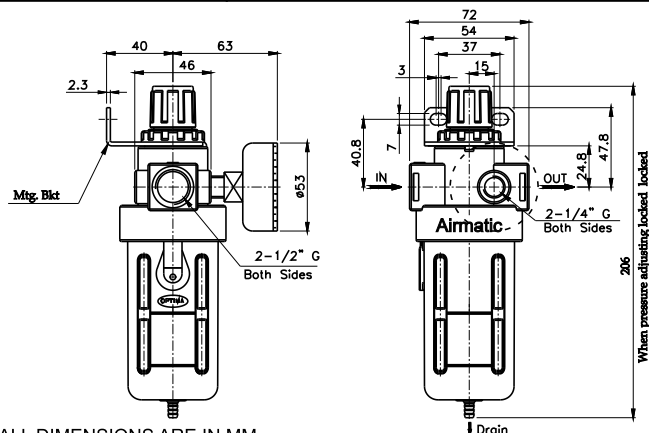
		SUFFIX
Filter Element 5µ	Sintered Bronze	V
Panel Mounting Ring (Plastic)		PM
Mounting Bracket		BM
Automatic Drain		ADM
Pressure Gauge 55mm Dial G1/4 Back Connection	Range 0.5 to 8.5 Kg/cm <sup>2</sup>	GB-3

### Model Ordering Code Instruction



### Dimensions & Weight

SIZES	G1/4	G3/8	G1/2
Weight in Kgs Trans. Bowl	0.400		



ALL DIMENSIONS ARE IN MM.

OPTIMA 400 FILTER REGULATOR COMBINATION CAT.