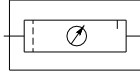


AIR LINE COMBINATION

OPTIMA SERIES, MODEL : C400 SERVICE :- COMPRESSED AIR

- ★ Compact Design
- ★ High Flow, Low pressure Drop
- ★ Light Weight
- ★ High Accuracy & Repeatability
- ★ Callibrated Lubrication Control



These modular series filter regulator lubricator combination are pre assembled as per requirements. All products are also available individually on order, Suitable for space saving high flow demanding installations.



Condition of use

Polycarbonate Bowl	
Max. Supply Pressure	9.5 Kg/cm ²
Op. Temp. Range	5 To 60°C

Accessories & Options

			SUFFIX
Filter Element 5µ Sintered Bronze			V
Panel Mounting Ring (Plastic)			PM
Mounting Bracket			BM
Automatic Drain Assy.			ADC
Pressure Gauge 55mm Dial G1/4 Back Connection	Range	0 to 4.2 Kg/cm ²	GB-2
		0 to 10.6 Kg/cm ²	GB-3

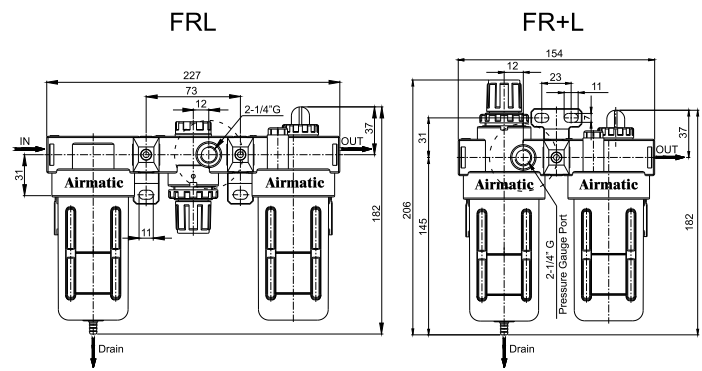
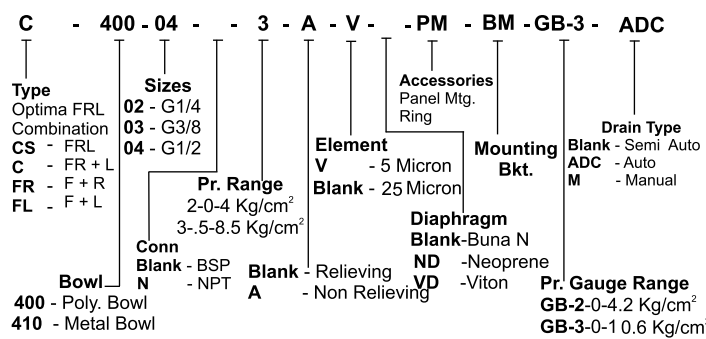
Dimensions & Weights

Combinations	Weight. In Kgs. Poly Bowl
FRL	1.100
FR + L	0.840
F + R	0.640
F + L	0.752

Ordering References

Sizes	Combination of	Models	Consists of Models		
		Poly. Bowl	Filter or FR Combi.	Regulator	Lubricator
G1/4	FRL	CS-400-023	F400-02	R400-023	L400-02
	FR+L	C-400-023	FR400-02	-	L400-02
	F+R	FR-400-023	F400-02	R400-023	-
	F+L	FL-400-02	F400-02	-	L400-02
G3/8	FRL	CS-400-033	F400-03	R400-033	L400-03
	FR+L	C-400-033	FR400-03	-	L400-03
	F+R	FR-400-033	F400-03	R400-033	-
	F+L	FL-400-03	F400-03	-	L400-03
G1/2	FRL	CS-400-043	F400-04	R400-043	L400-04
	FR+L	C-400-043	FR400-04	-	L400-04
	F+R	FR-400-043	F400-04	R400-043	-
	F+L	FL-400-04	F400-04	-	L400-04

Model Ordering Code Instruction



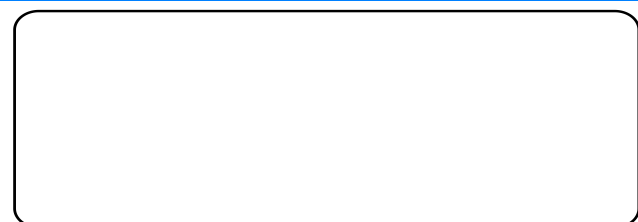
CONSULT FACTORY FOR OPTIONS & ACCESSORIES.

Dimensions are in mm.

Compressed Air Accessories

Shah Pneumatics

Regd. Office : 28-30, Navketan Industrial Estate,
Mahakali Caves Road, Andheri (East),
Mumbai - 400 093, INDIA.
Phone : +91-22-6695 1090, 2687 5314 Fax: +91-22-2687 5317
E-mail : shahpneu@bom3.vsnl.net.in
Website : www.shah-pneumatics.com



OPTIMA 400 COMBINATION UNITS CAT.