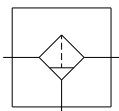


AIR LINE FILTERS

OPTIMA 400 SERIES SERVICE :- AIR



Filters

- High performance over wide flow range
- Compact in size, suitable for OEM application
- Two stage air cleaning action
 - (1) Cyclone Separation
 - (2) Depth style filter element

Technical Data

Material Specification

	Polycarbonate Bowl
Body	Aluminium alloy
Bowl	Polycarbonate
Element	Porous material
Drain	Brass
Seals	Buna - N

Standard Features

Element Rating	25 microns
Drain	Semi Auto
Bowl Capacity	60 ml

Ordering References

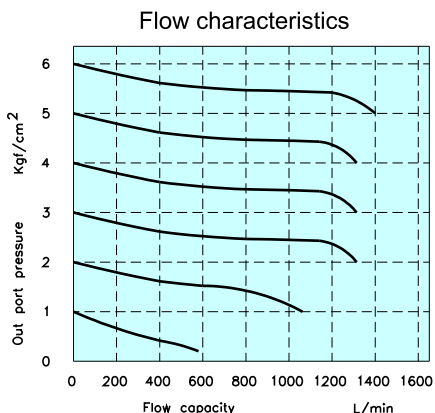
MODELS	SIZES		
	G1/4	G3/8	G1/2
F400 - 02	F400 - 03	F400 - 04	

Flow at 7 bar, pressure drop 0.36 Kg/cm² (5 psig)

Service Kits

	Plastic	Metal
Element	5μ	F400 - E5
Kit	25μ	F400 - E25
Bowl Replacement Kit	F400 - BAP	F400 - BAM
Rubber Service Kits	F400 - O	

Pressure Drop Curve



Condition of use

	Polycarbonate Bowl
Max. Supply Pressure	9.5 Kg/cm ²
Op. Temp. Range	5 To 60°C

Accessories & Options

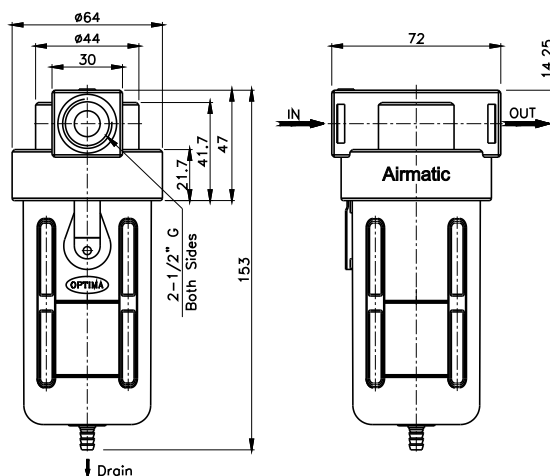
	SUFFIX
Filter Element 5μ Sintered Bronze	V
Automatic Drain Assembly	ADM

Model Ordering Code Instruction

F	-	400	-	04	-	-	-	-
Type								
Optima Series								
Filter								
		Sizes		Element		Drain Type		
		02-G1/2		V - 5 Micron		Blank - Semi Auto		
		03-G3/8		Blank - 25Micron		ADM - Auto		
		04-G1/2				M - Manual		
		Bowl		Conn				
		400 - Poly Bowl		Blank - BSP				
		410 - Metal Bowl		N - NPT				

Dimensions & Weight

Weight in Kgs. Poly Bowl	0.330
--------------------------	-------



ALL DIMENSIONS ARE IN MM.

OPTIMA 400 FILTER CAT.