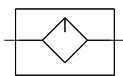


## AIR LINE LUBRICATORS

### OPTIMA - 200 SERIES SERVICE :- AIR



#### Lubricators

- Compact Design
- Adjustable drip rate
- Flow compensated

## Technical Data

### Material Specification

	Polycarbonate Bowl
Body	Aluminium alloy
Bowl	Polycarbonate
Adjusting Knob	Brass
Sight Glass	Polycarbonate

### Bowl Capacity

Bowl Capacity	25 ml
---------------	-------

### Ordering References

MODELS	SIZES	
	G1/8	G1/4
	L200 - 01	L200 - 02

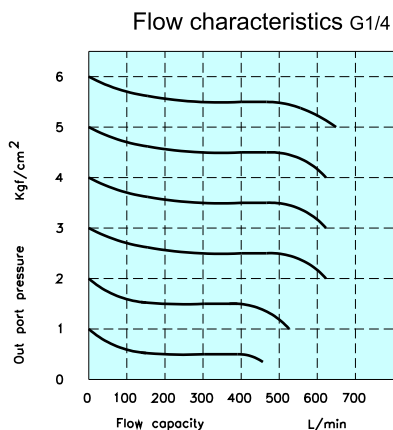
### Features \* \* \* \* \*

1. Atomised lubrication action accomplished with unique plug - in high velocity venturi and air by-pass module.
2. Dial-set oil-feed adjustment.
3. Large fill port.

### Service Kits

Sight Glass Assy. Kit	L 200 - SG
Bowl Replacement Kit - Plastic	L 200 - B

### Flow Curve



### Condition of use

	Polycarbonate Bowl
Max. Supply Pressure	9.5 Kg/cm <sup>2</sup>
Op. Temp. Range	5 To 60°C

### Minimum air Flow

2 SCFM @ 7 Kg/cm<sup>2</sup>

### Oil Viscosity Limitations

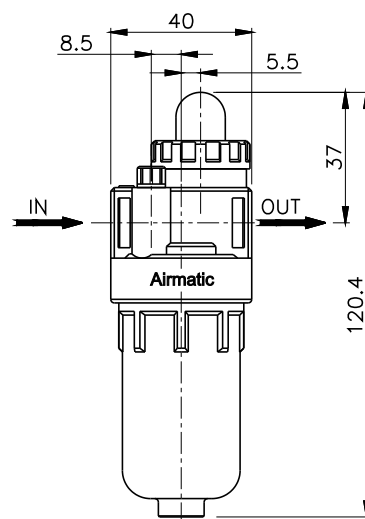
ISO VG 32 or equivalent

### Model Ordering Code Instruction

**L** - **200** - **02** -  
 Type Bowl Sizes Conn.  
 Optima series Poly Bowl 01-G1/8 Blank - BSP  
 Lubricator 210 - Metal Bowl 02-G1/4 N - NPT

### Dimensions & Weight

Weight in Kgs. Poly Bowl	0.170
--------------------------	-------



ALL DIMENSIONS ARE IN MM.

OPTIMA 200 LUBRICATOR CAT.