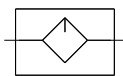


## AIR LINE LUBRICATORS

**OPTIMA 400 SERIES**  
SERVICE :- AIR



### Lubricators

- High performance over wide flow range
- Compact in size, suitable for OEM application

## Technical Data

### Material Specification

	Polycarbonate Bowl
Body	Aluminium alloy
Bowl	Polycarbonate
Bowl Guard	Plastic
Sight Glass	Polycarbonate
Adjusting Knob	Brass

### Bowl Capacity

Bowl Capacity	90 CC Lubricant
---------------	-----------------

### Ordering References

MODELS	SIZES		
	G1/4	G3/8	G1/2
L-400-02	L-400-03	L-400-04	

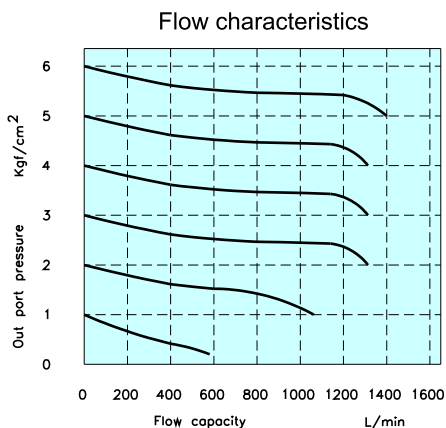
### Features \* \* \* \* \*

1. Atomised lubrication action accomplished with unique plug - in high velocity venturi and air by-pass module.
2. Dial-set oil-feed adjustment.
3. Large fill port.

### Service Kits

Sight Glass Assy. Kit	L 200 - SG
Bowl Replacement Kit - Plastic	L 400 - B

### Flow Curve



### Condition of use

	Polycarbonate Bowl
Max. Supply Pressure	9.5 Kg/cm <sup>2</sup>
Op. Temp. Range	5 To 60°C

### Minimum air Flow

5 SCFM @ 7 Kg/cm<sup>2</sup>

### Oil Viscosity Limitations

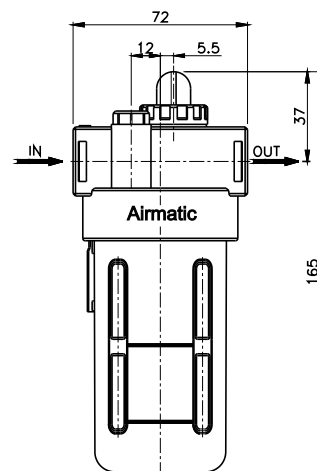
ISO VG 32 or equivalent

### Model Ordering Code Instruction

**L** - Optima series Lubricator  
**400** - Bowl  
     400 - Poly Bowl  
     410 - Metal Bowl  
**02** - Sizes  
     02-G1/4  
     03-G3/8  
     04-G1/2  
**Conn**  
     Blank - BSP  
     N - NPT

### Dimensions & Weight

SIZE	G1/4	G3/8	G1/2
Weight in Kgs Trans. Bowl	0.250		



ALL DIMENSIONS ARE IN MM.

OPTIMA 400 LUBRICATOR CAT.