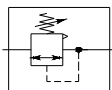


## AIR LINE REGULATORS

**MINIATURE SERIES**  
SERVICE :- AIR / WATER



### Regulators

- Compact Design
- High performance

## Technical Data

### Material Specification

Body	Aluminium
Spring Cage & Knob	Acetal Resin
Diaphragm	Buna N *
Spring	Pressure Spring Steel Zn plated
Valve	Stainless Steel

\* Optional Neoprene (Viton on request)

### Standard Features

Type	Diaphragm ,Relieving
Reduced Pressure Range	0 to 9 Kg/cm <sup>2</sup>
Gauge Ports	Two (G1/8)

### Ordering Reference

SIZES	FLOW	MODELS
G1/8	15 SCFM	MR 10-013
1/8 NPT		MR 10-013N
G1/4	22 SCFM	MR 10-023
1/4 NPT		MR 10-023N

Typical flow at 7 kg/cm<sup>2</sup> (100 psi) with 1 kg/cm<sup>2</sup> (14.7 psi) Δp

### Reduced Pressure Range

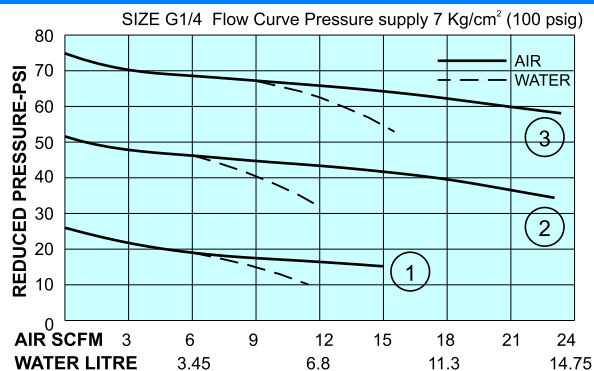
Available in three reduced Pressure ranges suffix. 1. for 0 to 2 kg/cm<sup>2</sup>  
2. for 0 to 4 kg/cm<sup>2</sup>  
\* 3. for 0 to 9 kg/cm<sup>2</sup>

\* Unless otherwise specified. 0-9 Kg/cm<sup>2</sup> (0-125 psi) will be supplied.

### Service Kits

		NITRILE	VITON
Diaphragm Assy. Kit	Relieving	MRC-07R	MRC-07RV
	Non Relieving	MRC-07NR	MRC-07NRV
Bonnet Assy. Kit		MRC-06	
Service Kit	Relieving	MR-OR	MR-ORV
	Non Relieving	MR-ONR	MR-ONRV

### Pressure Drop Curve



### Condition of use

Maximum Supply Pressure	12 Kg/cm <sup>2</sup>
Maximum Op. Temperature	70°C

### Accessories & Options

		SUFFIX
Panel Mounting Ring	Plastic	PAP
	Metal	PAM
Mounting Bracket		BA
Non Relieving		A
Viton Diaphragm / Neoprene Diaphragm		VD / ND
Both Pressure Gauge Port Plugged		X
Pressure Gauge 40mm Dial G1/8 Back Connection	Range 0 to 2.1 Kg/cm <sup>2</sup>	GA-1
	0 to 4.2 Kg/cm <sup>2</sup>	GA-2
	0 to 10.6 Kg/cm <sup>2</sup>	GA-3

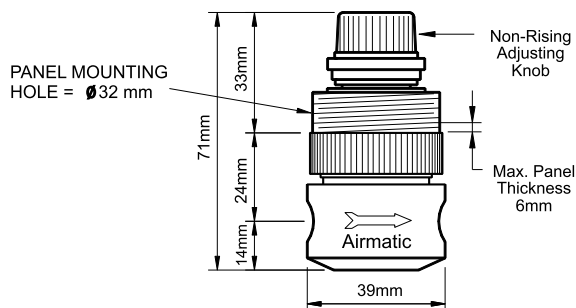
### Model Ordering Code Instruction

**MR - 10-02 - - 3 - - - PAM - BA - GA-3 - X**

Blank - Alu. Body	Conn Blank - BSP	A-Non-Relieving Blank-Relieving	Mounting Bkt.	Both Pr. Gauge Port Plugged
S - St. Steel Body	N - NPT			
<b>Sizes</b>	<b>Outlet Pr. Range</b>	<b>Diaphragm</b>	<b>Pr. Gauge Range</b>	
01 - G1/8	1 - 0-2 Kg/cm <sup>2</sup>	Blank - BUNA N	GA1 - 0-2 Kg/cm <sup>2</sup>	
02 - G1/4	2 - 0-4 Kg/cm <sup>2</sup>	VD - Viton	GA2 - 0-4.2Kg/cm <sup>2</sup>	
	3 - 0-9 Kg/cm <sup>2</sup>	ND - Neoprene	GA3 - 0-10.6 Kg/cm <sup>2</sup>	
<b>Type</b>	<b>Panel Mtg. Ring</b>			
MR-Mini Regulator	PAP - Plastic			
	PAM - Metal			

### Dimensions & Weight

Weight in Kgs.	0.130
----------------	-------



MINI REGULATOR CAT.