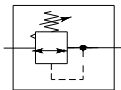


AIR LINE REGULATORS

OPTIMA 200 SERIES
SERVICE :- AIR



Regulators

- Compact Design
- High performance

Technical Data

Material Specification

Body	Aluminium alloy
Seals & Diaphragm	Buna - N
Bottom Spring	Stainless Steel
Spring Cage and Knob	Plastic

Standard Features

Diaphragm	Relieving
Pressure Range	0.5 - 8.5 Kg/cm ²
Gauge ports	G1/8

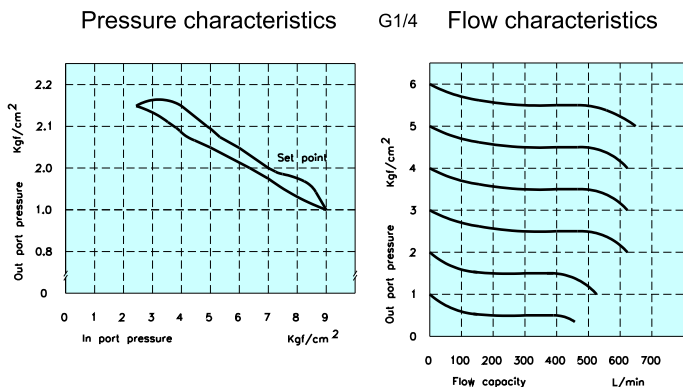
Ordering References

MODELS	SIZES	
	G1/8	G1/4
	R-200-013	R-200-023

Service Kits

Diaphragm Assy. Kit	Relieving	R200 - DAR
	Non Relieving	R200 - DANR
Bonnet Assy. Kit		R200 - B
Service Kit	Relieving	R200 - SKR
	Non Relieving	R200 - SKNR

Flow Curve



Condition of use

Max. Supply Pressure	9.5 Kg/cm ²
Temperature Range	5 To 60°C

Accessories & Options

		SUFFIX
Panel Mounting Ring (Plastic)		PM
Mounting Bracket		BM
Non Relieving		A
Pressure Gauge 40mm Dial G1/8 Back Connection	Range 0 to 10.6 Kg/cm ²	GA-3

Model Ordering Code Instruction

R200 - 01 - - 3 - - - PM - BM - GA3

Type: Optima 200 Series Regulator

Sizes: 01-G1/8, 02-G1/4

Conn. Blank - BSP, N - NPT

Blank - Relieving, A - Non Relieving

Diaphragm: Blank - Buna N, ND - Neoprene, VD - Viton

Accessories: Panel Mtg. Ring, PM - Plastic

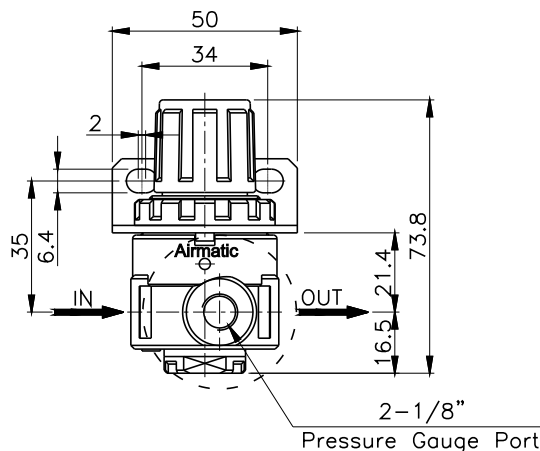
BM - Mounting Bkt.

Pr. Range: 2 - 0.5-4 Kg/cm², 3 - 0.5-8.5 Kg/cm²

Pr. Gauge Range: GA2 - 0-4.2 Kg/cm², GA3 - 0-10.6 Kg/cm²

Dimensions & Weight

Weight in Kgs.	0.200
----------------	-------



ALL DIMENSIONS ARE IN MM.

OPTIMA 200 REGULATOR CAT.