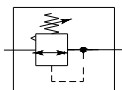


## AIR LINE REGULATORS

### OPTIMA 400 SERIES

SERVICE :- AIR



### Regulator

- High Flow Capacity
- Compact in size, suitable for OEM application
- Diaphragm Design

## Technical Data

### Material Specification

Body	Aluminium alloy
Bottom Spring	Stainless Steel
Spring Cage and Knob	Plastic
Diaphragm & Seat	Buna - N

### Standard Features

Diaphragm	Relieving
Pressure Range	0.5 - 8.5 Kg/cm <sup>2</sup>
Gauge ports	G1/4

### Ordering References

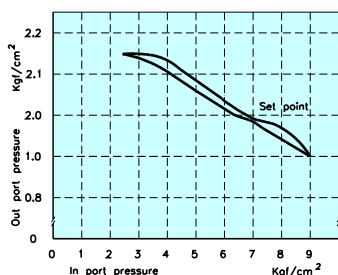
MODELS	SIZES		
	G1/4	G3/8	G1/2
R-400-023	R-400-033	R-400-043	

### Service Kits

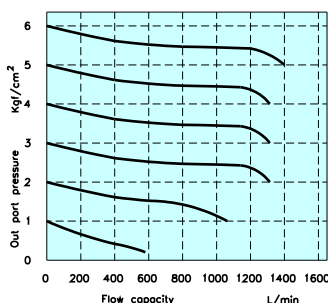
Diaphragm Assy. Kit	Relieving	R200 - DAR
	Non Relieving	R200 - DANR
Bonnet Assy. Kit		R200 - B
Service Kit	Relieving	R400 - SKR
	Non Relieving	R400 - SKNR

### Flow Curve

Pressure characteristics



Flow characteristics



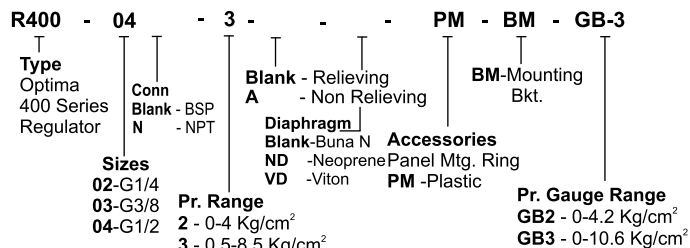
### Condition of use

Max. Supply Pressure	9.5 Kg/cm <sup>2</sup>
Temperature Range	5 To 60°C

### Accessories & Options

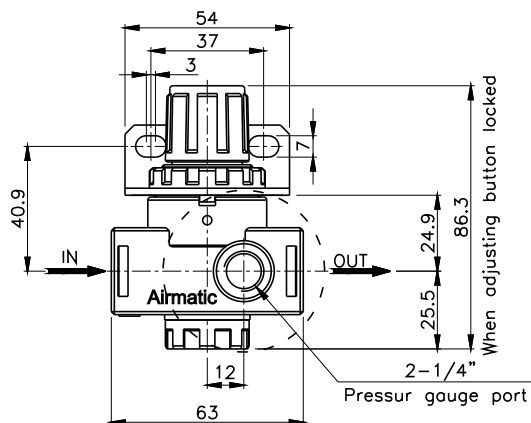
		SUFFIX	
Panel Mounting Ring (Plastic)		PM	
Mounting Bracket		BM	
Non Relieving		A	
Pressure Gauge 55mm Dial G1/4 Back Connection	Range	0-4.2 Kg/cm <sup>2</sup>	GB-2
		0-10.6 Kg/cm <sup>2</sup>	GB-3

### Model Ordering Code Instruction



### Dimensions & Weight

Weight in Kgs.	0.230
----------------	-------



ALL DIMENSIONS ARE IN MM.

OPTIMA 400 REGULATOR CAT.