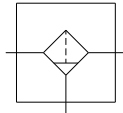


## OIL ABSORPTION FILTERS

### SPECIAL PURPOSE FILTERS-OAF SERVICE :- COMPRESSED AIR



#### Application

Precision pneumatic instrumentation, food and pharmaceutical processes, Textile Industries, Chemical Processes demand high purity Air with oil content less than 0.05 mg/m<sup>3</sup>, compressed air coming straight from compressor contains high levels of oil in particulate as well as aerosol forms. Products of combustion which are acidic can cause progressive damage to systems. "Airmatic" oil Absorption Filters meet the above requirements.

### Technical Data

#### Material Specification

Body	Diecast Aluminium
Bowl	Epoxy Coated Steel
Element	Special long staple Fiber Absorbant Discs.

#### Ordering References

SIZES	MODELS
G1/2	OAF-04
G3/4	OAF-06
G1	OAF-08
G1.1/2	OAF-12

#### Features \* \* \* \* \*

- Low Pressure drop (@ 2 PSIG).
- Maximum Filtration area.
- Service without breaking pipe connections.
- Low cost replacement elements.
- Low initial cost.
- Lower maintenance cost.
- Five micron positive protection.
- Full range of capacities.
- Oil carry over less than 0.05 mg/m<sup>3</sup> at 20° C.
- High pressure range available on request.

#### Service Kits

	G1/2 - G1	G 1.1/2
Felt Kit	ECF-O	ECF-1
Service Kits	OAF-O	OAF-1
Bowl `O` Ring	OF-02	OF-02



#### Condition of use

Max. Supply Pressure	12 Kg/cm <sup>2</sup>
Max. Op. Temp.	60°C

#### Accessories & Options

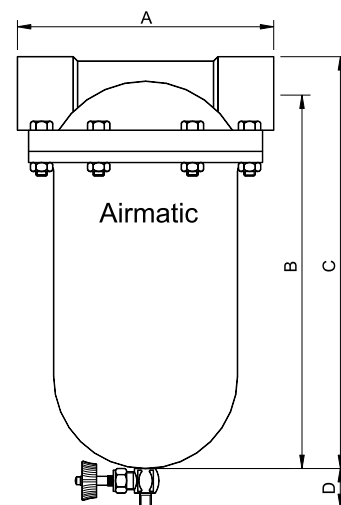
Flanges as per BS and ASA Standards. And NPT Threads on request.

#### Model Ordering Code Instruction

OAF	-	04	-	N	-	Blank
Type		Sizes		Connection		Drain
Oil Absorption Filter		04 - G 1/2		N - NPT		Blank-Manual
OAF-Standard		06 - G 3/4		Blank - BSP		
		08 - G 1				
		12 - G 1.1/2				

#### Dimensions & Weight

Weight : 11.690 Kgs. @  
(OAF-08)



ALL DIMENSIONS ARE IN MM.

SIZES	A	B	C	D
G 1/2	230	523	407	35
G 3/4				
G 1	270	523	557	35
G1.1/2				

## Shah Pneumatics

Regd. Office : 28-30, Navketan Industrial Estate,  
Mahakali Caves Road, Andheri (East),  
Mumbai - 400 093, INDIA.  
Phone : +91-22-6695 1090, 2687 5314 Fax: +91-22-2687 5317  
E-mail : shahpneu@bom3.vsnl.net.in  
Website : www.shah-pneumatics.com