

DIRECTIONAL CONTROL VALVES

4/3 HAND ROTARY LEVER TYPE

TYPE : HRL 143 - LEVER OPERATED

ROTARY LEVER OPERATED WITH DETENT

Application

Rotary piston design allows free flow for use in applications requiring high flow & compactness. Neutral position all ports are blocked which isolates air supply from equipments.

FOR DRY OR LUBRICATED OIL & INERT GASES

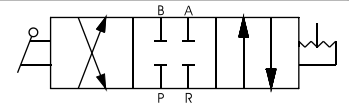
Airmatic



Port Sizes	Orifice In mm ²	Flow Factor		Admissible Pressure Range Kg/Cm ²	Max. Admissible Fluid Temp. °C	Model/Ref. No
		LPM	CV			

MODEL - 143

Aluminium Body



Port Size	Orifice (mm ²)	Flow Factor (LPM)	Flow Factor (CV)	Pressure Range (Kg/Cm ²)	Temp. Range (°C)	Model/Ref. No
G1/4	16	800	0.89	0-10	5 To 60	HRL143-02-010-A-N
G3/8	33	1200	1.83			HRL143-03-010-A-N
G1/2	88	2000	4.89			HRL143-04-010-A-N
G3/4	95	2800	5.27			HRL 143-06-010-A-N

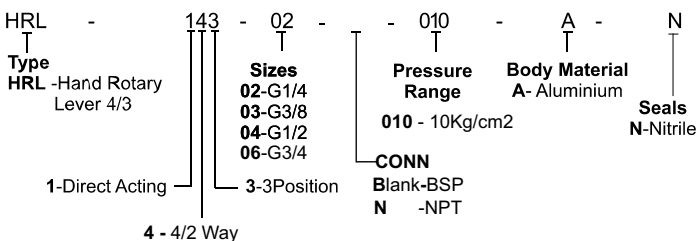
Material Specification

Body	Aluminium
Internals	Piston : Aluminium
Seals	Nitrile
Spring	St. Steel

Features

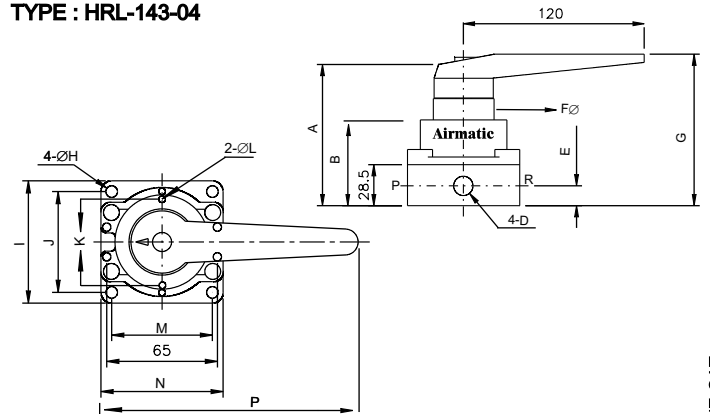
- Panel Mounting Possible.
- Compact space saving design.
- Both direction flow possible.
- Mounting in any position possible.
- Full flow through rotary piston movement.
- Ease of air connections.
- Corrosion free.

Model Ordering Code Instruction



Dimensions

TYPE : HRL-143-04



SIZE	TYPE	DIMENSIONS (mm)														
		A	B	C	D	E	F	G	H	I	J	K	L	M	N	P
G1/4	HRL	72.6	45	1.5	1/4	11.5	M34X1.5	92.5	5	62	49	40	3	49	62	120
G3/8	HRL	88.5	56	1.5	3/8	13.5	M40X1.5	104	6.6	74	62	51	3	62	74	140
G1/2 G3/4	HRL	110.3	72	2	1/2-3/4	18	M52X1.5	126	6.6	102	89	64	3	81	94	160

DIMENSIONS ARE IN MM

Shah Pneumatics

Regd. Office : 28-30, Navketan Industrial Estate,
Mahakali Caves Road, Andheri (East),
Mumbai - 400 093, INDIA.

Phone : +91-22-6695 1090 Fax : +91-22-26875317

E-mail : shahpneu@bom3.vsnl.net.in

Website : www.shah-pneumatics.com

ORDER CODE :HRL143-2-010-A-N