

# SOLENOID VALVES

## 5/3 - PILOT OPERATED - COMPACT SERIES

TYPE : DSH 253 / DSE 253  
DOUBLE SOLENOID WITH MANUAL  
OVERRIDE

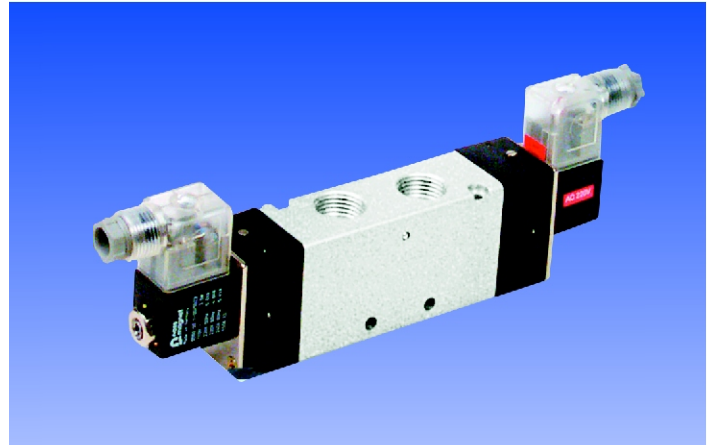
### Application

When the voltage supply is given to the solenoid it is energised & the valve is actuated. It remains actuated until the other solenoid is deenergised & returns to neutral position by spring force.

FOR DRY OR LUBRICATED AIR & INERT GASES

### Ordering References

# Airmatic



Port Sizes	Sectional Area in mm <sup>2</sup>	Flow Factor		Power Consumption			MODEL / REF NO				
				DC in watts	AC in VA		Valve #	Coil	Plug	VOLTAGE AC / DC	
					Pull	Hold					
		Lit / Min	CV								

MODEL :- 253

## Aluminium Body



G1/8	9	600	0.50	2.5 W	6 VA	3 VA	DSH253-01-008-A-N	EF	PEL	12
G1/4	12	850	0.67	12V - 2.5W	24V - 7.0	3.5 VA	DSH253-02-008-A-N	DF	PD	24
G3/8	18	1800	1.00		110V - 5.0	2.5 VA	DSH253-03-008-A-N		PDL	110
G1/2	30	3000	1.67	24V - 3W	220V - 4.0	2 VA	DSH253-04-008-A-N			220

# Consult the technical sales department for manifold details.

### Material Specification

Body	Aluminium optional Brass
Internals	Aluminium
Seals	Standard Nitrile Optional Viton

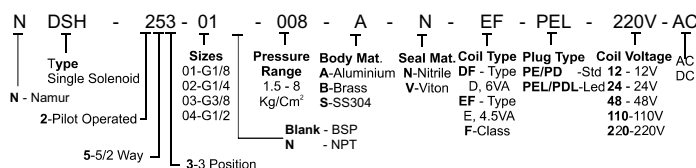
### Technical Data

RESPONSE TIME	0.01 Sec.	
MAX. WORKING FREQUENCY	5 Cycles / Sec.	
VOLTAGE FLUCTUATION	+/- 10%	
ELECTRICAL CONNECTION	DIN PLUG CONNECTION	
PLUG CONNECTOR	PD/PE	STANDARD PLUG
	PDL/PEL	STANDARD PLUG WITH LED
DUTY CYCLE / INSULATION	100% / CLASS F-STANDARD	
DEGREE OF PROTECTION	STANDARD IP 65 (DIN 40050)	

### Condition of use

Minimum Operating Pressure	1.5 Kg/Cm <sup>2</sup>
Maximum Operating Pressure	8 Kg/Cm <sup>2</sup>
Max. Operating Temp.	60° C

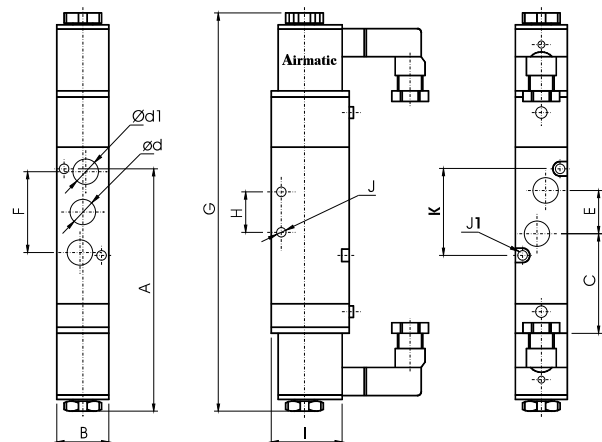
### Model Ordering Code Instruction



ORDER CODE : DSH252-01-008-A-N-EF-PEL-220 VAC.

### Dimensions

TYPE : DSH / DSE - 253



MODELS	DIMENSIONS											WEIGHT Kgs.	
	A	B	C	D	D1	E	F	G	H	I	J		J1
DS252-01	82	18	60	G1/8	G1/4	16	28	154.5	14	27	3.3	30	0.200
DS252-02	103	21	107	G1/4	G1/4	21	36	189	20	35	4.3	32	0.400
DS252-03	117	27	115	G3/8	G1/4	24	45	208	24	40	4.3	50	0.540
DS252-04	143	34	107	G1/2	G1/2	36	63	243	28	50	5.5	72	0.770

DIMENSIONS ARE IN MM

## Shah Pneumatics

Regd. Office : 28-30, Navketan Industrial Estate,  
Mahakali Caves Road, Andheri (East),  
Mumbai - 400 093, INDIA.

Phone : +91-22-6695 1090 Fax : +91-22-26875317

E-mail : shahpneu@bom3.vsnl.net.in

Website : www.shah-pneumatics.com