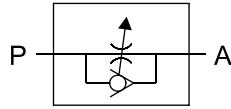


# SPEED CONTROL VALVES

# Airmatic

**MODEL :- SCV**



**SERVICE :- COMPRESSED AIR AND GASES**

## Application

Speed control valves may be used with 3/2 Way and 5/2 Way solenoid valves to provide speed control of single or double acting cylinders and diaphragms. They allow full unrestricted flow in one direction and controlled flow in opposite direction.

These valves are machined from Aluminium and are available in M5 to G1/2 female pipe sizes. The speed control valve combines a floating valve that provides full flow in one direction, and a tapered, fine thread, needle that gives a wide range of adjustment of the flow in the opposite or controlled direction, into one compact body design.

Installing the speed control valve in the pressure connections of valve will starve the solenoid valve for pressure causing operational problems. When installed with direct acting type 3/2 Way valves the speed control valve can be located in the cylinder, pressure or exhaust connections without affecting the operation of solenoid valves.

## Technical Data

### Material specification

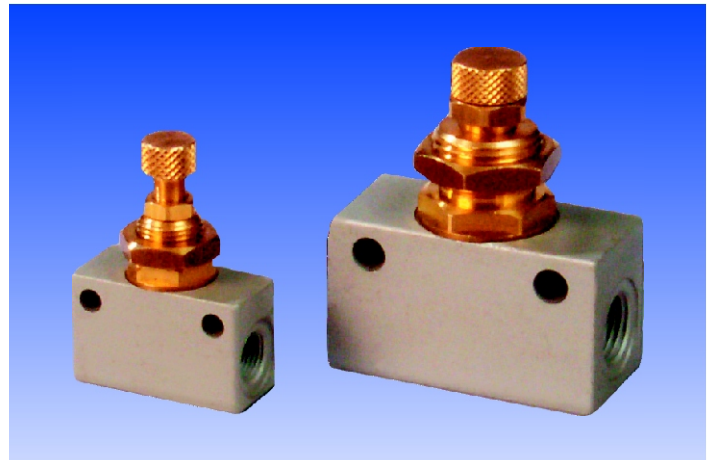
Body	Aluminium / Brass Optional
Needle	Brass
Spring	St.Steel 304
Check Valve	Rubber / Plastic
Sealing	Nitrile Rubber

### Ordering References

Sizes	Models	Orifice mm	Flow	
			Lit. / Min.	
			1→2	2→1
M5	* SCV-M5-A	1.5	0-45	55
G1/8	SCV-01-A	3	0-200	400
G1/4	SCV-02-A	6	0-450	800
G3/8	SCV-03-A	9	0-1250	1500
G1/2	SCV-04-A	12	0-1650	2500

Suffix-B For Brass Body (Eg. SCV\*\*-B)

\* Unless otherwise specified standard Aluminium body valve will be supplied



## Condition of use

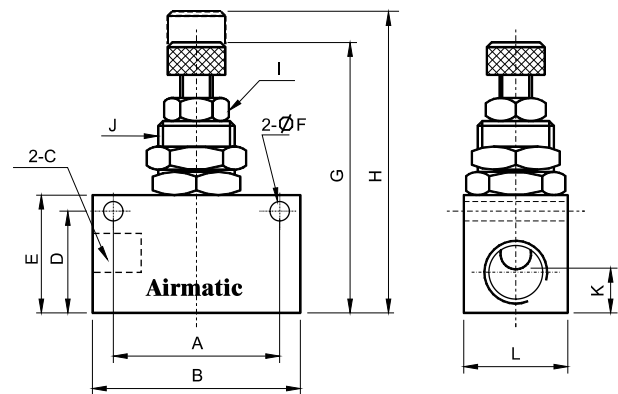
Pressure Range	0.5-9.5 Kg/cm <sup>2</sup>
Normal Op. Temp. Range	5-60° C

## Model Ordering Code Instruction

SCV - 02 - - A  
 SCV Speed Control Valve  
 Sizes M5-M5, 01-G1/8, 02-G1/4, 03-G3/8, 04-G1/2  
 Conn Blank - BSP, N - NPT  
 Const. A - Aluminium, B - Brass  
 \* Aluminium Standard. Order Code : SCV - 02 - A

## Dimensions & Weight

SIZES	DIMENSIONS-(mm)												WEIGHTS
	A	B	C	D	E	F	G	H	I	J	K	L	
M5/ G1/8	22	32	M5 G1/8	18	23	4.3	468	52	M6x0.5	M12x0.75	10	18	0.054
G1/4	26	36	G1/4	23	27	4.3	508	56	M6x0.5	M12x0.75	13	18	0.061
G3/8	35	50	G3/8	32	37	5.3	65	74	M8x0.75	M16x1.00	17	28	0.075



## Shah Pneumatics

Regd. Office : 28-30, Navketan Industrial Estate, Mahakali Caves Road, Andheri (East), Mumbai - 400 093, INDIA.  
 Phone : +91-22-6695 1090 Fax : +91-22-26875317  
 E-mail : shahpneu@bom3.vsnl.net.in  
 Website : www.shah-pneumatics.com

SPEED CONTROL VALVES CAT.