

SOLENOID VALVES

2/2 PILOT OPERATED -DIAPHRAGM TYPE
TYPE : SS-221F- NORMALLY CLOSED

FOR : FREON

Application

These valves are designed for control of Freon in industrial refrigeration, various connection, options available on request.

Airmatic



Port Size	Model	Orifice in mm	Working pressure Range (Kg/cm ²)	Maximum working temperature Fluid °C	Max Pressure Kg/cm ²
Threaded					

MODEL : SS 221F-Normally Closed

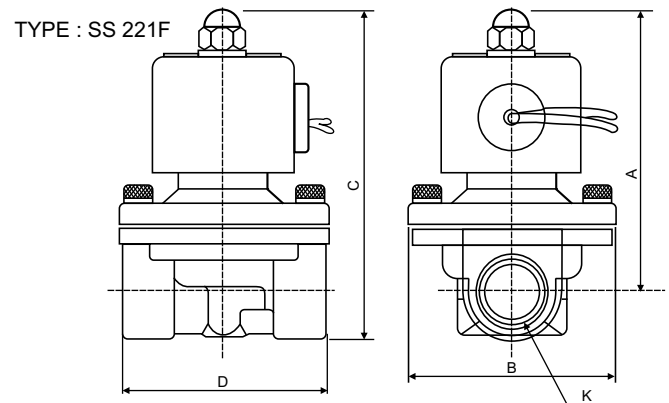
Brass Body/ Pipe Mounting

6mm(1/4)	SSF-221F-02-021-B-N	2.5	1 to 21	-10 to 80°C	30
10mm(3/8)	SSF-221F-03-021-B-N	3.0			
12mm(1/2)	SSF-221F-04-021-B-N	7.0			
15mm(5/8)	SSP-221F-05-021-B-N	12.5			

Material Specification

Body	Brass
Armature	St. Steel
Seals	Neoprene

Dimensions



DIMENSIONS ARE IN MM

PORT SIZE	DIMENSION				Weight in Kgs
	G	C	A	B	
1/4	75	61	24	67	0.34
3/8	76	63	24	74	0.39
1/2	83	74	29	81	0.47
5/8	91	77	46	118	0.78

Technical Specifications

Actuator	Solenoid coil
----------	---------------

Features

- * Heat proof characteristic.
- * Seals made of Freon resistant materials.

Model Ordering Code Instruction

SS	- 2	2	1	-	04	0-21	- B	-ND-	N	F	- 8-	PB	230 VAC
SS - Single Solenoid	2-Pilot operated	2- 2/2way	1- Normally closed	Type	Size	Pressure	Body Material	Seat	C-Coil type	Class	8-8 Watts	PB-Plug type B	Coil Voltage 230-230V AC/DC
	S-Spring Return				04 - G 1/4	021-0-21 kg/cm ²	B-Brass	ND-neoprene		F-Class			
					06 - G 3/4								
					08 - G 1								
					12 - G 1 1/2								
					16 - G 2								

ORDER CODE : SS 221F-06-010-N-230 VAC.

Shah Pneumatics

Regd. Office : 28-30, Navketan Industrial Estate,
Mahakali Caves Road, Andheri (East),
Mumbai - 400 093, INDIA.

Phone : +91-22-6695 1090-94 Fax: +91-22-2687 5317

E-mail : shahpneu@bom3.vsnl.net.in

Website : www.shah-pneumatics.com