



Booster Pump Systems Horizontal Type - Multi Inverter PID Control

PP - YM Series

Applications

- Water supply for small size villas and top floors of apartments
- General housings and small commercial buildings where pressurization is necessary
- Mansions, Motels and Schools having shortage in water pressure
- Small size sprinkling system & water treatment facility

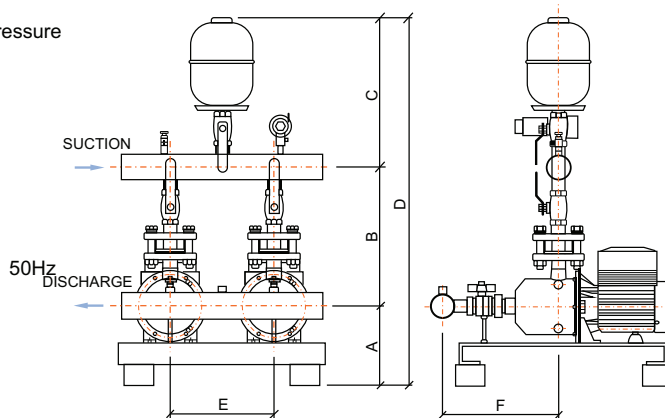
Specifications

Maximum Discharge flow	24 m ³ /hr		
Total Pump Head	65 m		
Maximum Ambient Temperature	+40°C		
Working Temperature Range	-15°C ~ +80°C		
Power Rating: Input / Output	220V 50Hz Ø 3 220/415V		
Pump Material	Casing	Impeller	Shaft
	SS 304		
Sealing Device	Mechanical Seal		

Features

- Saves large energy cost and maintains perfect constant pressure with the help of PID control, which is built in the inverter
- Starts & stops by inverter control, reducing pump noise & vibration
- Low water level auto detection & various pump protection functions
- Pump is completely made of SS304, always supplying clean water

Outline Diagrams



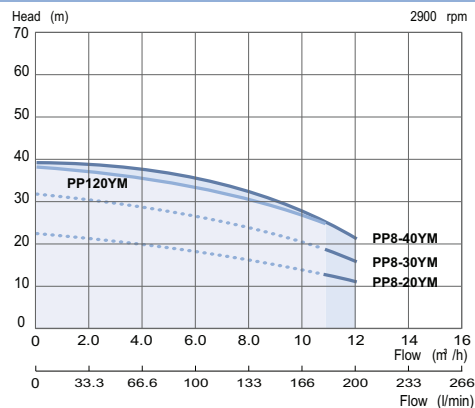
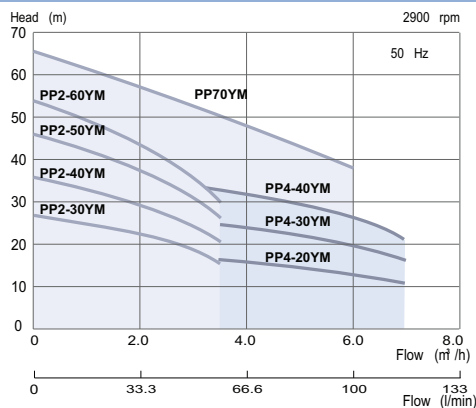
PP-YM Series

Performance Data & Dimensions

Model	Power		Flow (m ³ /hr)	Head (m)	Diameter (mm)		Dimensions (mm)						Weight Kg.
	KW	HP			Suction	Discharge	A	B	C	D	E	F	
PP2-30YM	0.55	0.75	1 ~ 7	26 ~ 16	50	50	188	330	397	915	250	226	42
PP2-40YM	0.55	0.75	1 ~ 7	35 ~ 21	50	50	188	330	397	915	250	280	44
PP2-50YM	0.55	0.75	1 ~ 7	44 ~ 26	50	50	188	330	397	915	250	280	44
PP2-60YM	0.75	1.00	1 ~ 7	53 ~ 30	50	50	188	330	397	915	250	280	46
PP4-20YM	0.55	0.75	2 ~ 14	18 ~ 11	50	50	188	330	397	915	250	226	40
PP4-30YM	0.75	1.00	2 ~ 14	27 ~ 17.5	50	50	188	330	397	915	250	280	42
PP4-40YM	0.75	1.00	2 ~ 14	36 ~ 23	50	50	188	330	397	915	250	280	44
PP8-20YM	0.75	1.00	10 ~ 24	19 ~ 11	65	65	220	360	420	1000	250	290	58
PP8-30YM	1.10	1.50	10 ~ 24	28 ~ 16	65	65	220	360	420	1000	250	290	62
PP8-40YM	1.50	2.00	10 ~ 24	37 ~ 21	65	65	220	360	420	1000	250	350	68
PP70YM	1.10	1.50	2.4 ~ 14.4	33 ~ 27	65	50	220	360	420	1000	250	215	62
PP120YM	1.85	2.50	4.8 ~ 21.6	37 ~ 25	65	50	220	360	420	1000	250	180	58

Performance Curves

Water test temp: °20 C Performance Limits: ISO2548td Class C pumps



CATALOGUE BOOSTER PUMP SYSTEMS - HORIZONTAL TYPE - PP-YM